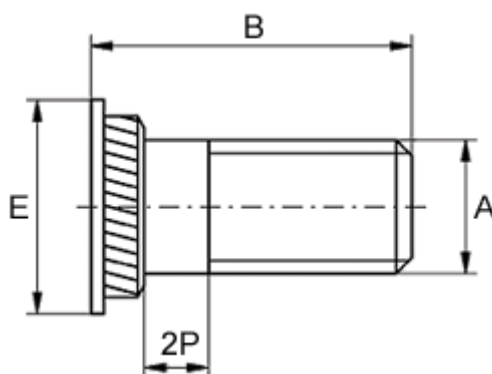


Data Sheet



Article number: 12511700030500
Description: KLEE-coil 511 700 030.500
M3 Stainless 14305

Measures



For plate thickness, min	= 1.5
Head diameter E	= 6
Hole diameter +0.1	= 4.2
Length B	= 11
Male thread A	= M3x0,5
Min distance to edge	= 2.4